

CLS-TW models

SURFACE MOUNT



CLS-TW-4C

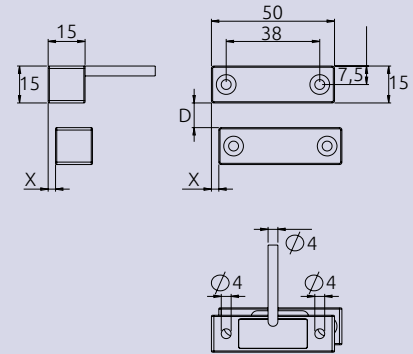


Contact closed with magnet in secure position 2 or 4-wire flying lead

CLIC S-series contacts are suitable for surface mounting on any door or window and in every environmental condition. Built with sturdy ABS cases and fully potted, together with the high security of the Magnasphere® technology, S-series CLICs are versatile devices with applications in both residential and commercial markets.

- ▶ **Design based on patented Magnasphere® technology, used under license**
- ▶ **Magnetic anti-masking: magnets placed outside of the protected perimeter cannot prevent the contact from opening once the reference magnet moves away**
- ▶ **If installed with minimum operating gap, they offer higher security than traditional triple-balanced reed contacts**
- ▶ **High resistance to mechanical and electrical shocks**
- ▶ **Embedded EOL resistors available on request: ease of installation with maximum dependability**
- ▶ **Fully potted construction: suitable for internal or external use**

Technical features



CASE
ABS

MAGNET
Neodymium

POTTING
Fully potted

ELECTRICAL CONTACT
Closed with magnet in secure position

EMBEDDED EOL RESISTORS
Optional on request:
r Ohm in series, *r* Ohm in parallel

ELECTRICAL PARAMETERS
30 VDC max, 250 mA, 0.25 W

TERMINALS
50cm 4x0.14 flying lead, PVC sheath, tamper passthrough for standard versions
50cm 2x0.22 flying lead, PVC sheath, for versions with embedded EOL resistors

RESISTANCE TO MECHANICAL SHOCKS
Up to 100g di acceleration

SECURITY
Compatible w/ Grade 3 EN 50131-2-6

ENVIRONMENTAL CLASS
Compatible w/ Class IV EN 50131-2-6

COLOUR CODES
... -N: brown
... -W: white

Ordering guide

CONTACT	D MAX	X MAX	PACKAGING
CLS-TW-4C-N CLS-TW-4C-W	On ferrous materials: 5 mm On other materials: 6 mm	3 mm	Contact, magnet: 5 sets
CLS-TW- <i>r</i> -2C-N CLS-TW- <i>r</i> -2C-W	On ferrous materials: 5 mm On other materials: 6 mm	3 mm	Contact, magnet: 5 sets

NOTE: Embedded EOL resistors: *r* Ohm in series, *r* Ohm in parallel.
Substitute the required resistor value to the letter "r" to get the correct ordering code.