

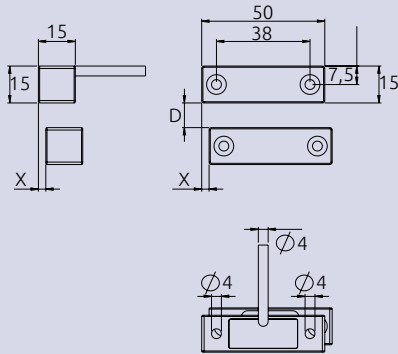


CLS-L models

SURFACE MOUNT

S
series

Technical features



CASE
ABS

MAGNET
Neodymium

POTTING
Fully potted

ELECTRICAL CONTACT
Open with magnet in secure position

EMBEDDED EOL RESISTORS
Optional on request:
 r Ohm in parallel

ELECTRICAL PARAMETERS
30 VDC max, 250 mA, 0.25 W

TERMINALS
50cm 4x0.14 flying lead, PVC sheath, tamper passthrough for standard versions
50cm 2x0.22 flying lead, PVC sheath, for versions with embedded EOL resistor

RESISTANCE TO MECHANICAL SHOCKS
Up to 100g di acceleration

SECURITY
Compatible w/ Grade 3 EN 50131-2-6

ENVIRONMENTAL CLASS
Compatible w/ Class IV EN 50131-2-6

COLOUR CODES
...-N: brown
...-W: white

CLS-L-2C



Contact open with magnet in secure position 2 or 4-wire flying lead

CLIC S-series contacts are suitable for surface mounting on any door or window and in every environmental condition. Built with sturdy ABS cases and fully potted, together with the high security of the Magnasphere® technology, S-series CLICs are versatile devices with applications in both residential and commercial markets. CLS-L models are particularly suited to installations requiring large operating gaps.

- ▶ **Design based on patented Magnasphere® technology, used under license**
- ▶ **Magnetic anti-masking: magnets placed outside of the protected perimeter cannot prevent the contact from closing once the reference magnet moves away**
- ▶ **If installed with minimum operating gap, they offer higher security than traditional triple-balanced reed contacts**
- ▶ **High resistance to mechanical and electrical shocks**
- ▶ **Embedded EOL resistors available on request: ease of installation with maximum dependability**
- ▶ **Fully potted construction: suitable for internal or external use**
- ▶ **Large operating gap**

Ordering guide

| CONTACT | D MAX | X MAX | PACKAGING |
|--|---|-------|-------------------------|
| CLS-L-4C-N CLS-L-4C-W | On ferrous materials: 8 mm On other materials: 15 mm | 6 mm | Contact, magnet: 5 sets |
| CLS-L- <i>r</i> -2C-N CLS-L- <i>r</i> -2C-W | On ferrous materials: 8 mm On other materials: 15 mm | 6 mm | Contact, magnet: 5 sets |

NOTE: Embedded EOL resistor: r Ohm in parallel.
Substitute the required resistor value to the letter "r" to get the correct ordering code.