



## FEATURES

- Extension of the MSM series with latching action switch version
- With 2-pole switching contact and quick connect terminals
- For switching voltages from 30 VDC up to 250 VAC
- Switching status optically visible with actuator in latched position
- Made of top-quality stainless steel
- High shock resistance
- Ring illuminated version with viewing angle of 180 degree

## CHARACTERISTICS

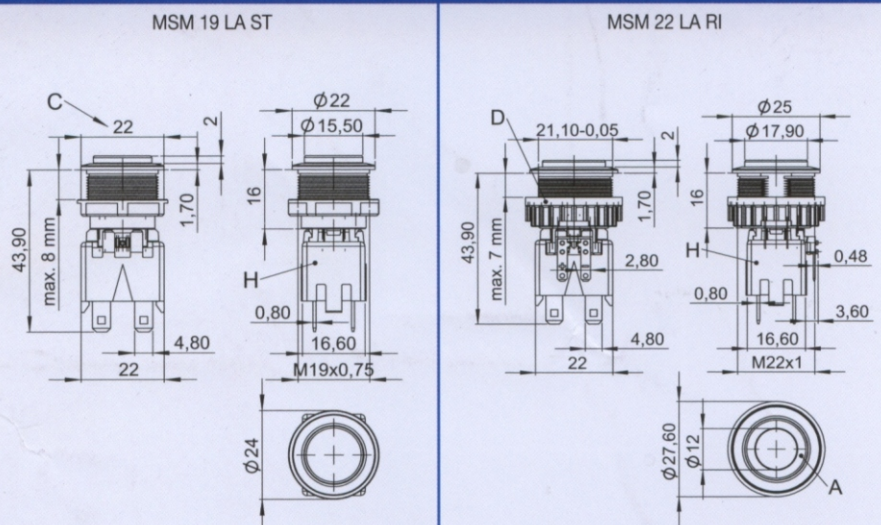
Switching Voltage min./max.	[V]	30 DC	250 AC
Switching Current min./max.	[A]	0.1 DC	12 AC
Lifetime electrical	[Actuations]	50,000	
Actuating Force	[N]	10	
Actuating Travel	[mm]	4.5	
IP Protection Class Front Side	[IP]	IP 67	
IP Protection Class Rear Side	[IP]	IP 40	
Operating and Storage Temperature	[°C]	-40 to +85	
Supply Voltage LED	[VDC]	24	

## PART NUMBER

Mounting Diameter	[mm]	Ø 19	Ø 22
Standard		1241.6821.1120000	1241.6831.1120000
Ring Illumination red		1241.6824.1121000	1241.6834.1121000
Ring Illumination green		1241.6824.1122000	1241.6834.1122000
Ring Illumination blue		1241.6824.1124000	1241.6834.1124000

## DRAWING

A Illumination Area  
 C Width Across Flat  
 D Knurled Nut  
 H Switch Element



**Koloona Industries Pty Ltd**

Unit 2/17 Pembury Rd, MINTO NSW 2566

Ph: 02 9820 5233 Fax: 02 9820 5244 E-Mail: sales@koloona.com.au