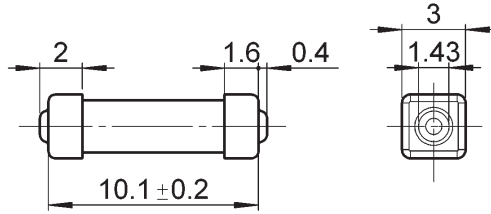


Surface Mount Fuses Type UMT 250

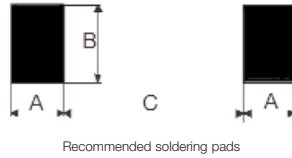
Time-Lag T

Directly solderable on printed boards

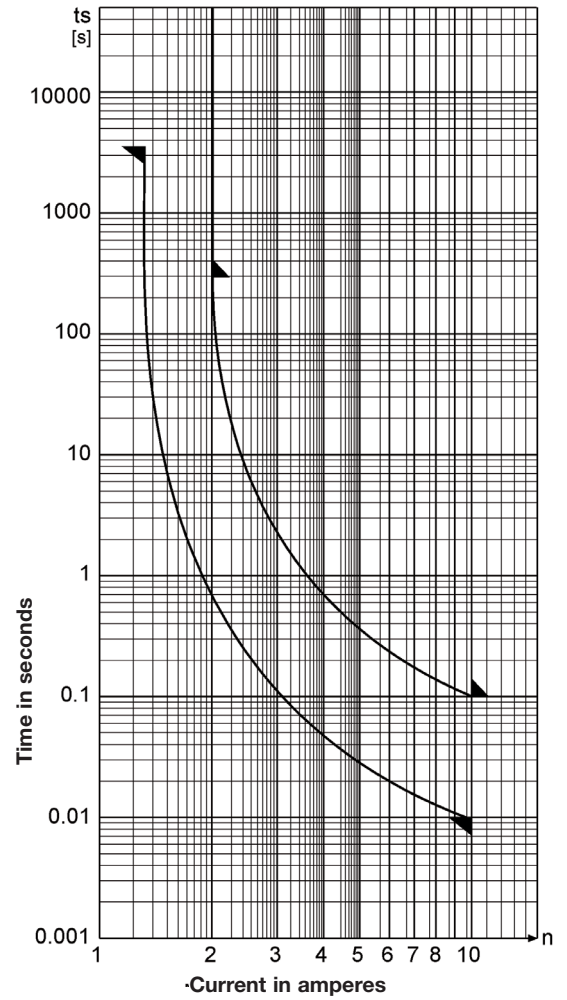


Dimensions

	Reflow	Wave
A	2.0 mm	3.2 mm
B	3.75 mm	4.5 mm
C	6.5 mm	6.5 mm



Time/Current Characteristic at 23°C



Time/Current Characteristic at 23°C

Rated current I_n	$1.25 \times I_n$	$2.0 \times I_n$	$10 \times I_n$	
	min.	max.	min.	max.
all ratings	60 min	120 s	10 ms	100 ms

Standards

IEC 60127-4
UL 248-14
CSA C22.2 No. 248.14

Approvals



Order No	Rated current I_n	Rated voltage U_n VAC / VDC	Breaking capacity	Voltage drop at rated current I_n		Power dissipation at $1.25 \times I_n$ typ. mV	Pre-arcing I^2t at $10 \times I_n$ typ. A ² s	Approvals
				typ. mV	max. mV			
3403.0161.xx	315 mA	250 / 125	200 A / 250 VAC at power factor > 0.95	343	750	500	0.27	c UL US D'E
3403.0162.xx	400 mA	250 / 125		290	700	500	0.40	
3403.0163.xx	500 mA	250 / 125		257	600	500	0.54	
3403.0164.xx	630 mA	250 / 125		216	500	500	1.10	
3403.0165.xx	800 mA	250 / 125		190	400	500	1.40	
3403.0166.xx	1.00 A	250 / 125	100 A / 125 VDC resistive	164	300	500	2.80	c UL US D'E
3403.0167.xx	1.25 A	250 / 125		138	300	1000	4.50	
3403.0168.xx	1.60 A	250 / 125		124	300	1000	6.90	
3403.0169.xx	2.00 A	250 / 125		106	300	1000	11.00	
3403.0170.xx	2.50 A	250 / 125		124	300	1200	7.50	
3403.0171.xx	3.15 A	250 / 125		99	300	1500	14.00	
3403.0172.xx	4.00 A	250 / 125		78	300	2000	26.00	

.xx Packaging index

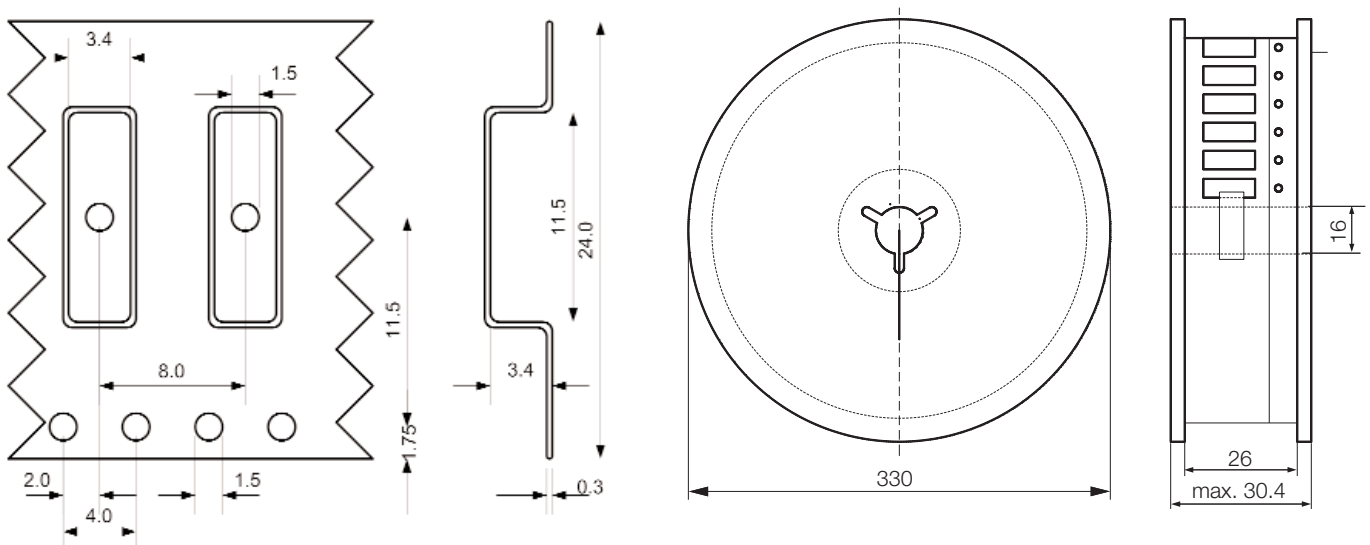
Additional Technical Data

Operating Temperature	-40°C to +85°C
Applicable Soldering Methods	Reflow, Wave
Solderability	According to IEC 60127-4, clause 8.6.2 (245°C, 3 sec. according to IEC 60068-2-58)
Soldering Heat Resistance	According to IEC 60127-4, clause 8.7.2 (260°C, 10 sec. according to IEC 60068-2-58)
Temperature Rise	Max. 75 K at rated current, according to UL 248-14, clause 8.2.4
Climatic Category	40/85/21 according to IEC 60068-1
Storage Temperature	Max. 40°C at 70% relative humidity
Materials Housing Terminals	Ceramic SnCu
Net Weight Pieces	0.22 g

Packaging

Tape	Type UMT 250
100 pieces in a bag	3403.XXXX.11
Taped and reeled 2000 pieces / reel diameter 330 mm	3403.XXXX.24

Blister tape and Reel, according to IEC 60286-3 (comparable to EIA RS 481)



All dimensions are in mm