

## Bistable Relay K-RH



**General**

- 1 NO contact
- High power contact for 100 A
- High shock and vibration resistance
- Customized coil and contact connections
- Define switch position at voltage breakdown
- Ambient temperature -25 ... +70 °C
- RoHS compliance

**Connections**

- Coil connection: Tape cable with plug
- Load contact: M6 thread

**Drive**

- Direct current, bistable

**Standards**

- IEC 61810-1

### Technical Data mechanical

|  |                         |
|--|-------------------------|
| Dimensions L x W x H (in mm)           | 66,7 x 49 x 24          |
| Shock resistance                       | 100 g, 11 ms Half sinus |
| Vibration resistance                   | 20 g, 10 - 55 Hz        |
| Operating time                         | typical 20 ms           |
| Releasing time                         | typical 20 ms           |
| Mechanical service life (without load) | >75.000 cycles          |
| Weight                                 | 120 g                   |

### Technical Data electrical

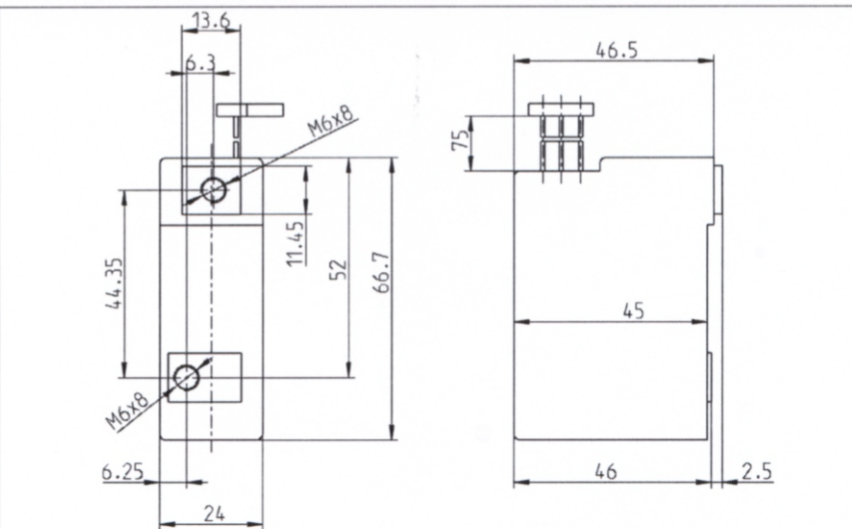
|   |                     |
|---|---------------------|
| Max. switching capacity                     | AC 24.000 VA, DC *W |
| Max. switching current                      | 100 A               |
| Max. switching voltage                      | AC 230/240 V, DC *V |
| Electrical service life (with nominal load) | >10.000 cycles      |
| * see DC-switching capacity                 |                     |

### Insulation

Over voltage category (Ü) III                      B-I = Basic insulation  
 Degree of pollution (V) 2                          V-I = Reinforced (double) insulation  
 Insulating material group II

| Insulation between | Nominal voltage network system |              | Air-/creeping distance | Test voltage 1,2/50µs |
|--------------------|--------------------------------|--------------|------------------------|-----------------------|
|                    | AC 120/240 V                   | AC 230/400 V |                        |                       |
| Contactset - Drive | V-I                            | V-I          | > 5,5 mm               | 6.000 V               |

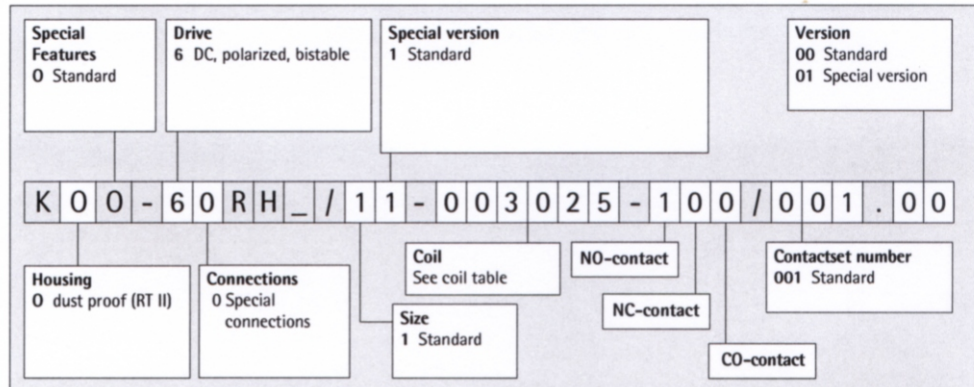
### Dimensions





## Bistable Relay K-RH

### Type key



### Contactset table

|   |                    |                   |
|---|--------------------|-------------------|
| Number of contacts<br>NO/NC/CO-contacts | AgSnO <sub>2</sub> | Contact material  |
| 100                                     | 001                | Contactset number |

### Coil table 1 Coil

| Coil-No. | Resistance<br>R/Ω | U <sub>min</sub> /V | U <sub>max</sub> /V | Printing<br>U <sub>nom</sub> /V |
|----------|-------------------|---------------------|---------------------|---------------------------------|
| 001032   | 23                | 5,1                 | 14,7                | 6                               |
| 001025   | 80                | 9,6                 | 27,4                | 12                              |
| 001120   | 250               | 17,0                | 48,4                | 20                              |
| 001088   | 320               | 19,6                | 54,7                | 24                              |
| 001080   | 1.280             | 37,5                | 109,4               | 48                              |

Pulse duration: >80ms

### 2 Coils

| Coil-No. | Resistance<br>R/Ω | U <sub>min</sub> /V | U <sub>max</sub> /V | Printing<br>U <sub>nom</sub> /V |
|----------|-------------------|---------------------|---------------------|---------------------------------|
| 003034   | 2 x 10            | 4,2                 | 9,7                 | 5/5                             |
| 003032   | 2 x 11            | 4,9                 | 10,1                | 6/6                             |
| 003025   | 2 x 40            | 9,7                 | 19,3                | 12/12                           |
| 003120   | 2 x 125           | 17,1                | 34,2                | 20/20                           |
| 003088   | 2 x 160           | 19,7                | 38,7                | 24/24                           |
| 003080   | 2 x 640           | 38,4                | 77,4                | 48/48                           |

Pulse duration: >80ms

Further coils are possible and available

### Running types

| Article-No. | Type key                       | Printing<br>U <sub>nom</sub> | U <sub>min</sub> /V | U <sub>max</sub> /V |
|-------------|--------------------------------|------------------------------|---------------------|---------------------|
| RH_-4148    | K00-60RH_/11-003080-100/001.00 | DC 48/48 V                   | 38,4                | 77,4                |
| RH_-5442    | K00-60RH_/11-003025-100/001.00 | DC 12/12 V                   | 9,7                 | 19,3                |
| RH_-5443    | K00-60RH_/11-003025-100/001.00 | DC 12/12 V                   | 9,7                 | 19,3                |
| RH_-5444    | K00-60RH_/11-003025-100/001.00 | DC 12/12 V                   | 9,7                 | 19,3                |



**KOLOONA INDUSTRIES PTY LTD**

ABN 87 002 458 031

P.O. Box 184 Minto Retail NSW 2566

T: +61 (0)2 9820 5233 F: +61 (0)2 9820 5244

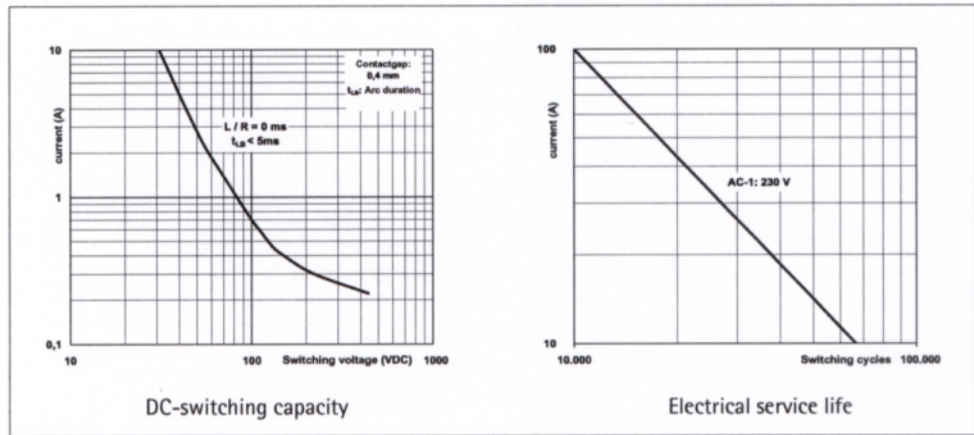
email: sales@koloona.com.au w/site: www.koloona.com.au

# HENGSTLER



## Bistable Relay K-RH

### Diagrams



**KOLOONA INDUSTRIES PTY LTD**

ABN 87 002 458 031

P.O. Box 184 Minto Retail NSW 2566

T: +61 (0)2 9820 5233 F: +61 (0)2 9820 5244

email: [sales@koloona.com.au](mailto:sales@koloona.com.au) w/site: [www.koloona.com.au](http://www.koloona.com.au)