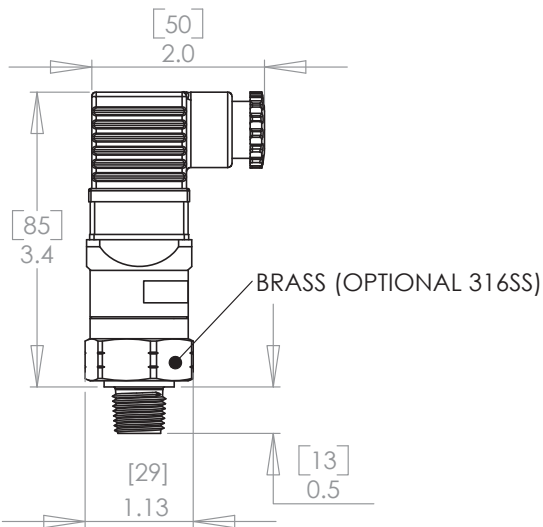
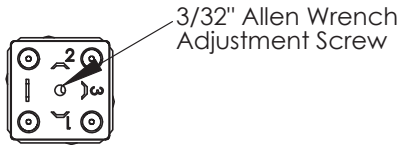




FEATURES / BENEFITS

- Rugged brass construction
- Vacuum pressure range from 5–30" Hg
- Withstands positive pressure up to 350 psi
- 5 Amp SPDT snap action microswitch
- IP 65 Environmental protection



SPECIFICATIONS

MECHANICAL

Set Point Ranges	5–30" Hg
Repeatability	+/- 2% FS
Maximum Overpressure	350 psi
Mechanical Life	1,000,000 Cycles
Temperature Range	-20–180° F

PHYSICAL

Housing Material	Brass
Diaphragm	Nitrile (other options available on request)
Pressure Port	1/4" NPT Male
Environmental Protection	IP 65
Electrical Connection	Din 43650 A
Weight	0.26 lbs

ELECTRICAL

Switch Type	SPDT Snap Action
Current Rating	5 A 12/24 VDC - 125 VAC 3 A 250 VAC



Model Number	Part Number	Adjustment Range	Average Differential
220V-0-4M-C-HC	D32000	5–30" Hg	2–4" Hg

220V SERIES