



FEATURES / BENEFITS

- Adjustable pressure ranges up to 5000 psi
- Suitable for high proof pressures (9000 psi)
- Robust zinc plated housing sealed to IP 65
- Industry standard Din 43650 A electrical connection
- Mechanical life in excess of 1,000,000 cycles

SPECIFICATIONS

MECHANICAL

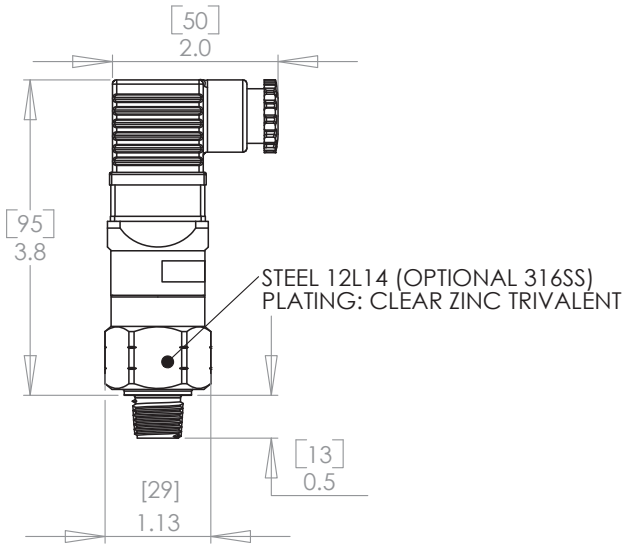
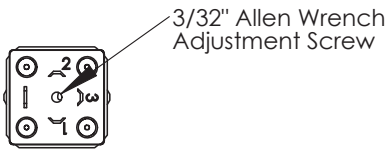
| | |
|----------------------|------------------|
| Set Point Ranges | 30–5000 psi |
| Repeatability | +/- 2% FS |
| Maximum Overpressure | 9000 psi |
| Mechanical Life | 1,000,000 Cycles |
| Temperature range | -20–180° F |

PHYSICAL

| | |
|--------------------------|--|
| Housing Material | Zinc Plated Steel |
| Diaphragm | Nitrile (other options available on request) |
| Pressure Port | 1/4" NPT Male |
| Environmental Protection | IP 65 |
| Electrical Connection | Din 43650 A |
| Weight | 0.41 lbs |

ELECTRICAL

| | |
|----------------|--|
| Switch Type | SPDT Snap Action |
| Current Rating | 5 A 12/24 VDC - 125 VAC 3 A 250 VAC |



| Model Number | Part Number | Adjustment Range | Average Differential |
|-----------------|-------------|------------------|----------------------|
| 210HP-4-4M-C-HC | D31000 | 30–120 psi | 9–20 psi |
| 210HP-5-4M-C-HC | D31001 | 75–300 psi | 12–36 psi |
| 210HP-6-4M-C-HC | D31002 | 300–1200 psi | 69–80 psi |
| 210HP-7-4M-C-HC | D31003 | 1000–3000 psi | 180–360 psi |
| 210HP-8-4M-C-HC | D31004 | 2000–5000 psi | 200–400 psi |

210HP SERIES