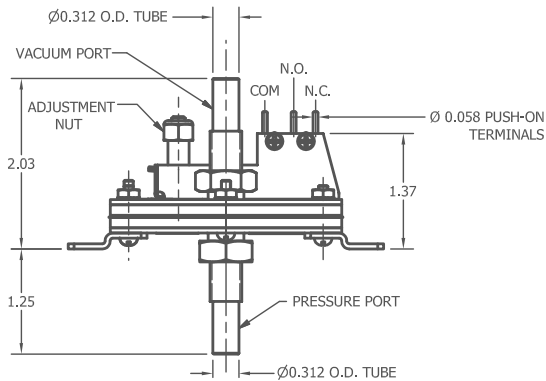
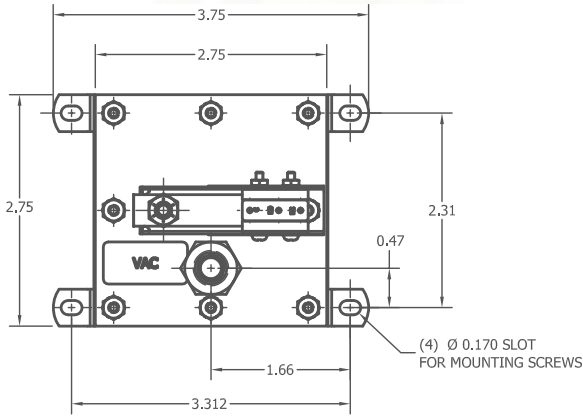


Made in USA



FEATURES / BENEFITS

- Rugged flat-plate construction in accordance with MIL-A-8625, Type 1, Class 2 specification
- Adjustable pressure range from 0.7–7" H₂O
- Single pole double throw switch action
- High proof pressure
- Reliable mechanical life

SPECIFICATIONS

MECHANICAL

Set Point Ranges	0.7–7.0" H ₂ O
Dead Band	Approximately 50% of Set Point
Proof Pressure	30" H ₂ O
Mechanical Life	1,000,000 Cycles
Temperature Range	+40–150° F

PHYSICAL

Housing Material	Anodized Aluminum
Diaphragm	Silicone Coated Fabric
Pressure Port	0.312 +/- .005 O.D. Tube
Electrical Connection	0.058 Push-on Terminals
Weight	0.32 lbs

ELECTRICAL

Switch Type	SPDT Snap Action
Current Rating	4 A 250 VAC / 5 A 28 VDC



Model Number	Part Number	Pressure Range
D1	D21543	0.7–7.0" H ₂ O

D-1 SERIES