



171D/170D Ultra Low Differential Pressure Switch

FEATURES / BENEFITS

- Rugged design for use in harsh environments
- Pressure ranges from 1"–40" H₂O
- Shock and vibration resistance (MIL-S-901-D & MIL-STD-167-1)
- Chemical resistant epoxy finish available
- Suitable for high voltage/current applications



Made in USA

SPECIFICATIONS

MECHANICAL

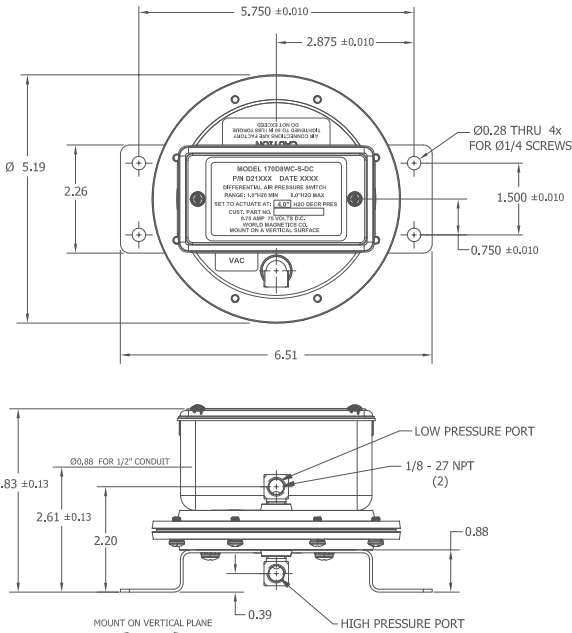
Set Point Ranges	1.0"–40" H ₂ O (see below)
Dead Band	See Below
Proof Pressure	Up to 25 psi (dependant on model)
Mechanical Life	1,000,000 Cycles
Temperature Range	-30–160° F

PHYSICAL

Housing Material	Zinc Die Cast, Steel & Aluminum Stamping
Diaphragm	0.008" Nitrile/Nylon Cloth (model 170) 0.005" Silicone PE Cloth (model 171)
Pressure Port	1/8–27 NPT Female
Electrical Connection	Screw Terminals
Weight	2.875 lbs

ELECTRICAL

Switch Type	SPDT Snap Action
Current Rating	See Below



Model Number	Part Number	Operating Range	Deadband (PSI)	Switch Current
170D8W-S	D21530	1.0–8.0" H ₂ O	0.2–0.4" H ₂ O	10 Amp 125 VAC
170D8W	D21531	2.0–8.0" H ₂ O	0.3–0.5" H ₂ O	15 Amp 125 VAC
170D20W	D21532	2.0–20" H ₂ O	0.3–0.5" H ₂ O	15 Amp 125 VAC
170D40W	D21533	2.0–40" H ₂ O	0.3–0.5" H ₂ O	15 Amp 125 VAC
171D8WC-S	D21540	0.05–8.0" H ₂ O	0.03–0.3" H ₂ O	10 Amp 125 VAC
171D8WC	D21541	0.15–8.0" H ₂ O	0.05–0.3" H ₂ O	15 Amp 125 VAC
170D8W-S-DC	D21564	1.0–8.0" H ₂ O	0.4–0.6" H ₂ O	0.75 Amp 75 VDC
170D8W-DC	D21536	2.0–8.0" H ₂ O	0.8–1.0" H ₂ O	0.75 Amp 75 VDC
170D20W-DC	D21537	2.0–20" H ₂ O	0.8–1.0" H ₂ O	0.75 Amp 75 VDC
170D40W-DC	D21538	2.0–40" H ₂ O	0.8–1.0" H ₂ O	0.75 Amp 75 VDC
171D8-WC-DC	D21542	0.15–8.0" H ₂ O	0.05–0.3" H ₂ O	0.75 Amp 75 VDC